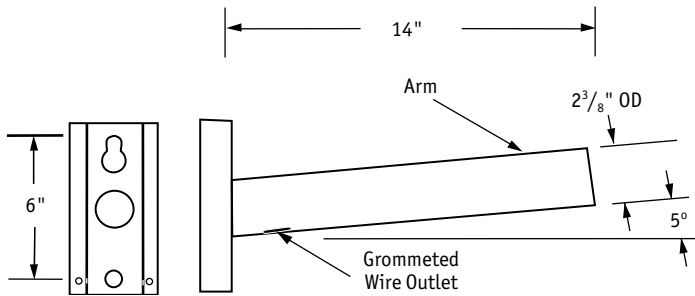


## Mast Arms and Brackets for Wood Poles

- ◆ All-aluminum construction
- ◆ Meet all requirements of ANSI C136.13
- ◆ Lightweight
- ◆ Fast, easy installation
- ◆ Wire access hole with grommet
- ◆ Bracket Class permanently marked on all brackets
- ◆ Variety of mounting options, including banding and lag screws
- ◆ Available for 1½" and 2" slipfitters
- ◆ Standard finish: Mill Finish Aluminum
- ◆ Optional Powder Coated finishes available
- ◆ Optional ground lug

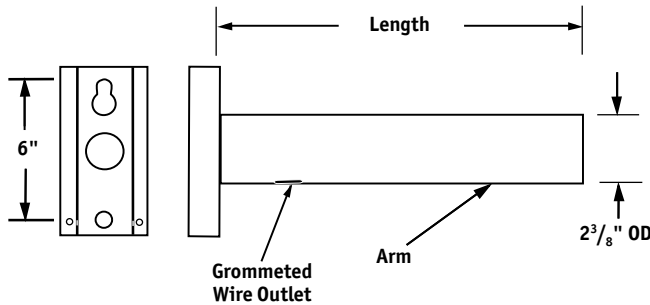


# Mast Arms and Brackets



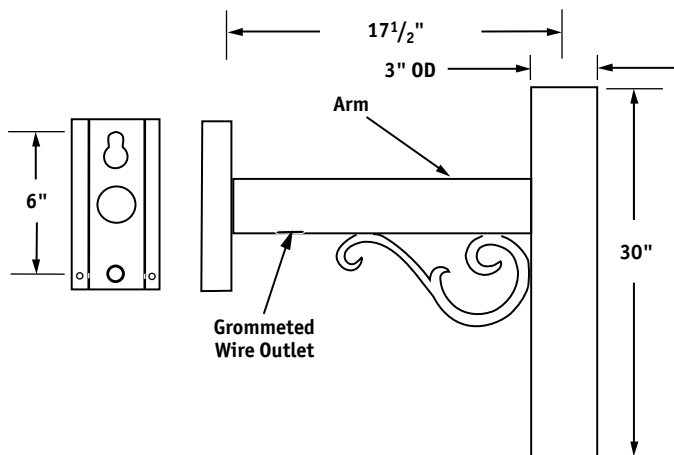
## Straight Arms with Offset

Catalog Number	Nominal Horizontal Length (in.)	Rise	Pole Attachment Centers (in.)
	A	B	
MC-1.2T5-02	14	5°	6.0



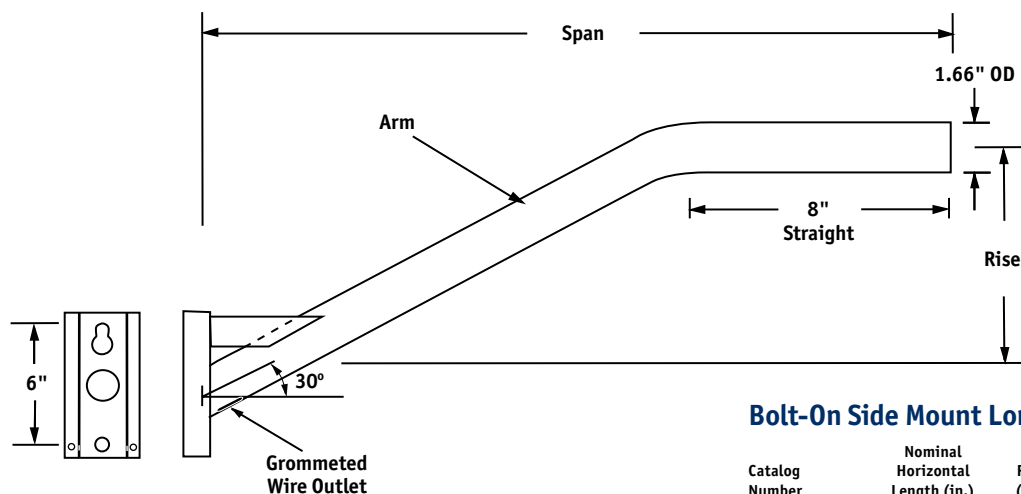
## Straight Arms without Offset

Catalog Number	Nominal Horizontal Length (in.)	Rise (in.)	Pole Attachment Centers (in.)
	A	B	
MC-.0400-02	4.5	0	6.0
MC-.0700-02	8.0	0	6.0
MC-1.200-02	12.0	0	6.0



## Side Mount Arms for Tenon-mount Luminaires

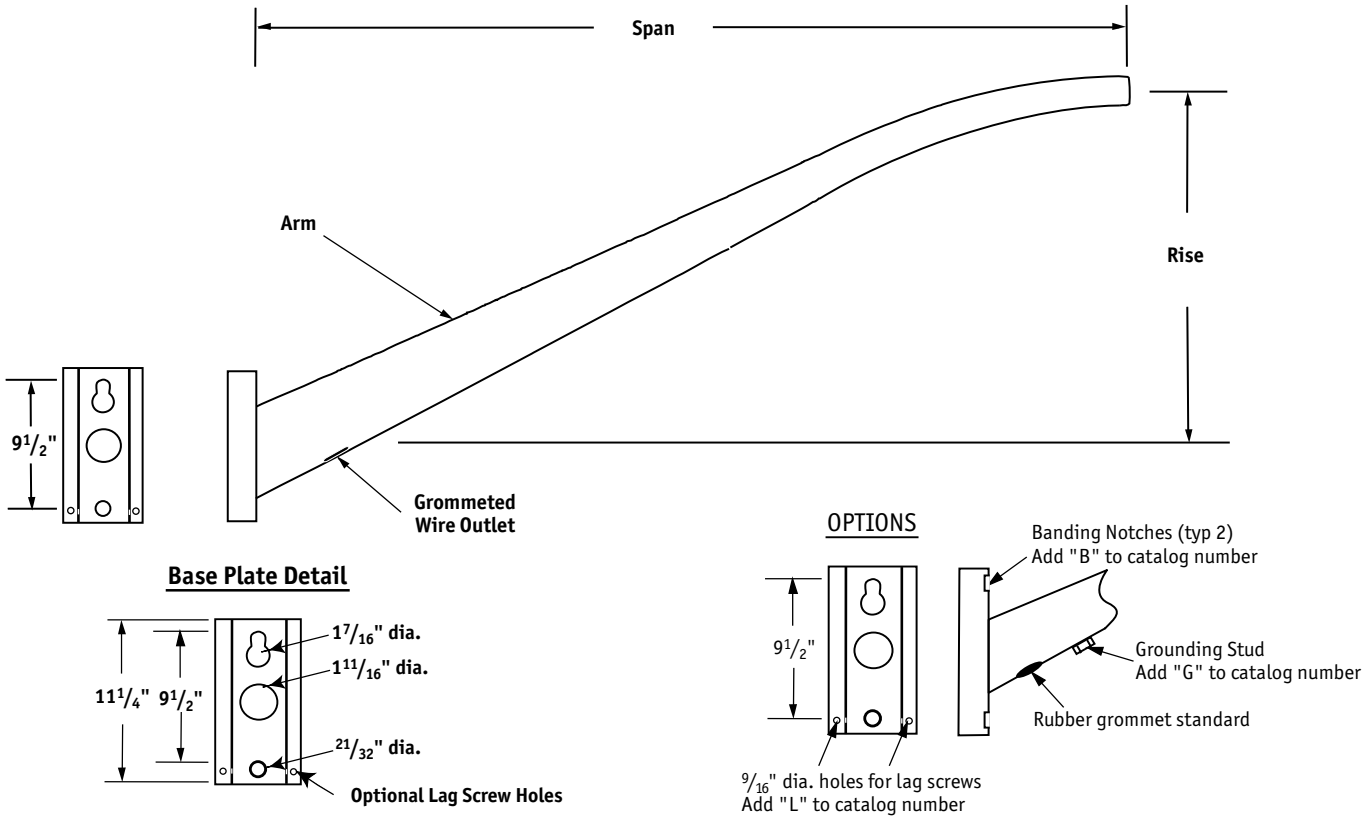
Catalog Number	Nominal Horizontal Length (in.)	Rise (in.)	Pole Attachment Centers (in.)
	A	B	
MC-1.500-03	18	0	6.0



## Bolt-On Side Mount Long-Reach Brackets

Catalog Number	Nominal Horizontal Length (in.)	Rise (in.)	Pole Attachment Centers (in.)
	A	B	
MC-2.515-01	30	15	6.0

Banding Notches, add "B" to catalog number  
 Grounding Stud, add "G" to catalog number  
 Holes for Lag Screws, add "L" to catalog number



### Standard Cantilever Arms 1 1/4" dia.

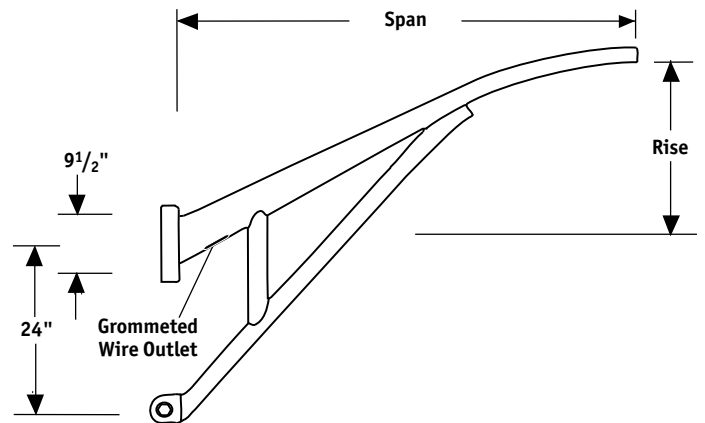
Catalog Number	Nominal Horizontal Length (ft.) A	Rise (in.) B	Pole Attachment Centers (in.) C	Weight each (lbs)	Arm Class
MCS-0415-01	4.0	15	9.5	6	H
MCS-0624-01	6.0	24	9.5	10	E
MCS-0833-01	8.0	33	9.5	14	E
MCS-1039-01	10.0	39	9.5	17	E
MCS-1245-01	12.0	45	9.5	22	E

### Standard Cantilever Arms 2" dia.

Catalog Number	Nominal Horizontal Length (ft.) A	Rise (in.) B	Pole Attachment Centers (in.) C	Weight each (lbs)	Arm Class
MCS-0415-02	4.0	15	9.5	6	H
MCS-0624-02	6.0	24	9.5	10	E
MCS-0833-02	8.0	33	9.5	14	E
MCS-1039-02	10.0	39	9.5	17	E
MCS-1245-02	12.0	45	9.5	22	E

### Heavy Duty Cantilever Arms 2" dia.

Catalog Number	Nominal Horizontal Length (ft.) A	Rise (in.) B	Pole Attachment Centers (in.) C	Weight each (lbs)	Arm Class
MCH-0833-02	8.0	33	9.5	16	H
MCH-1039-02	10.0	39	9.5	20	H



### Truss Arm 1 1/4" dia.

Catalog Number	Nominal Horizontal Length (ft.) A	Rise (in.) B	Pole Attachment Centers (in.) C	Weight each (lbs)	Arm Class
MTS-1545-01	15.0	45	9.5 & 24	40	E

### Truss Arm 2" dia.

Catalog Number	Nominal Horizontal Length (ft.) A	Rise (in.) B	Pole Attachment Centers (in.) C	Weight each (lbs)	Arm Class
MTS-1545-02	15.0	45	9.5 & 24	40	E

## Bracket Classification

Bracket Class	Maximum Luminaire Weight (lbs.)	Maximum Luminaire Size			
		Spherical and Ellipsoidal		Rectangular	
		Effective Projected Area (EPA) (sq. ft.)	Equivalent Wind Load (lbs.)	Effective Projected Area (EPA) (sq. ft.)	Equivalent Wind Load (lbs.)
A	20	0.9	30	--	--
B	35	1.2	40	--	--
C	50	1.5	50	--	--
D	70	1.8	60	1.8	60
E	80	2.4	75	2.4	75
F	80	--	--	3.0	95
G	80	--	--	3.6	110
H	80	--	--	4.8	145



Shakespeare Composite Structures is a Philips Group Brand.  
 19845 U.S. Highway 76 · Newberry, SC 29108  
 803-276-5504 · F/803.276.8940 · 1.800.800.9008 · www.skp-cs.com