

Long Beach Style, 25.5" Anchor Base and Direct Burial

THE HISTORICAL SERIES

*Long Beach*

Distinctive, classical beauty

Virtually maintenance free, durable fiberglass reinforced composite

One-piece construction

Smooth or fluted, tapered shafts

Standard or custom finishes and colors

Seven standard, 23 premium colors; architectural colors available

Gloss or semi-gloss finishes standard; custom finishes available

Mounting heights of 12 to 23 feet; custom heights available

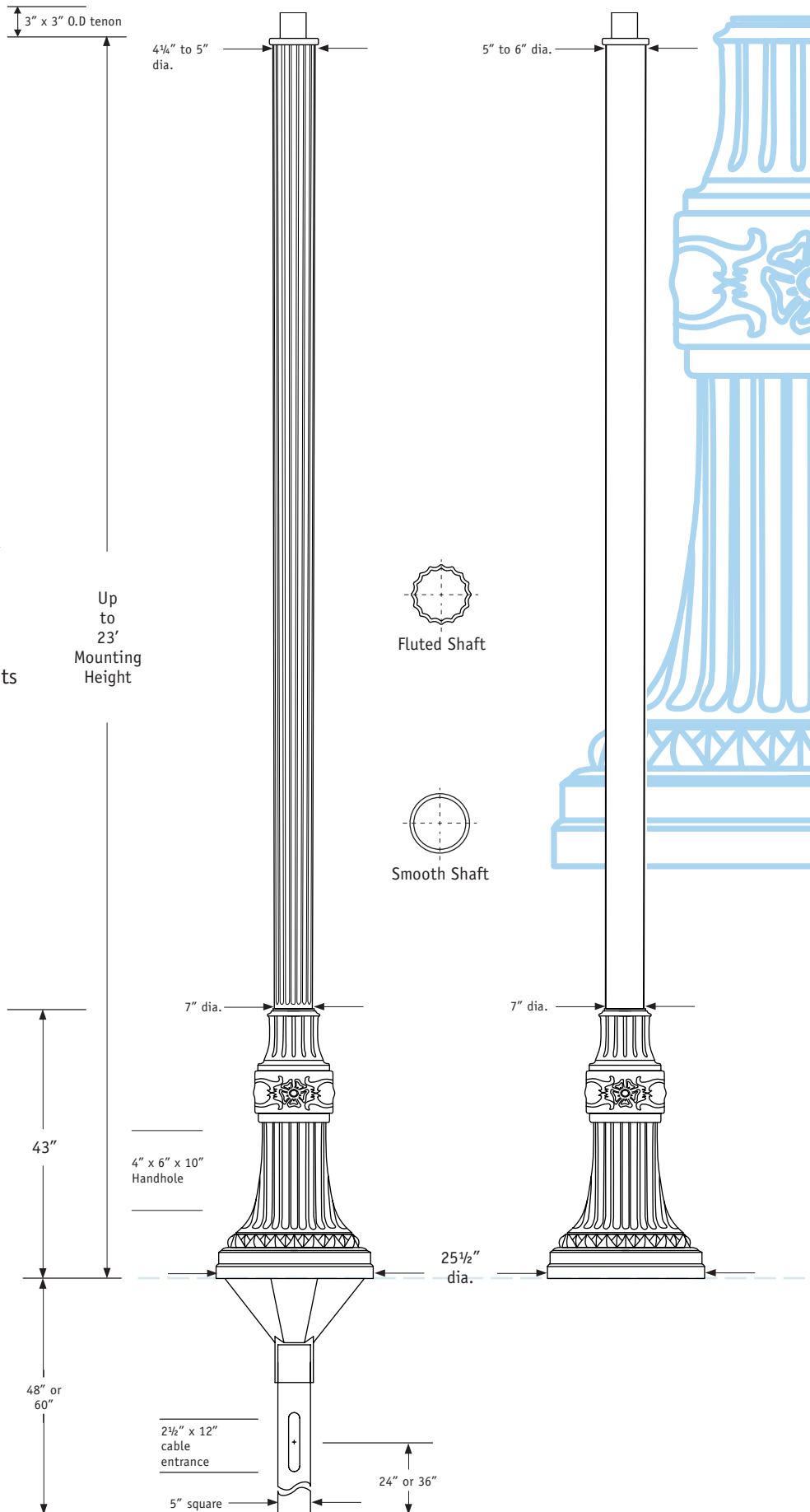
Superior wind, loading, and environmental tolerance

Non-conductive for safety

Molded-in color; UV and weather resistant polyurethane coating

Standard 3" x 3" dia. aluminum tenon for luminaire mounting

Anchor Base or Direct Burial

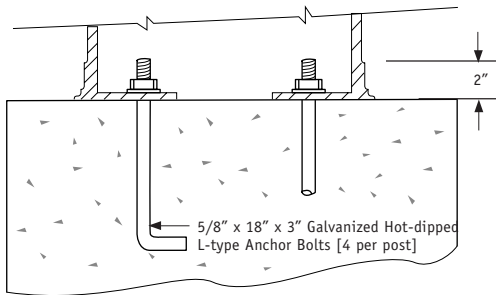


# ALB25 and BLB25

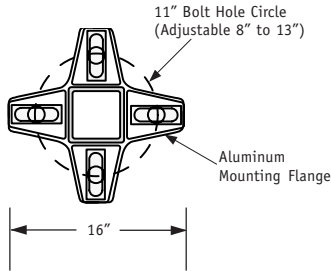
## Long Beach, 25.5" Anchor and Direct Burial Base

All dimensions and specifications nominal, and subject to change without notice or obligation. Please contact factory before site preparation begins.

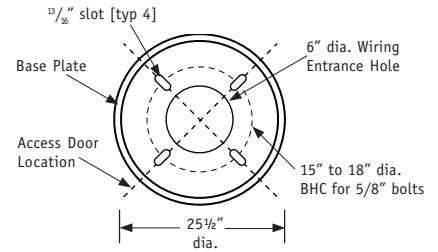
Suggested Anchorage Detail  
(Anchor Base)



Optional Composite Burial Foot



Long Beach Anchor Bolt Pattern Detail



### OPTIONS

Optional **Bolt Circle**: contact factory.

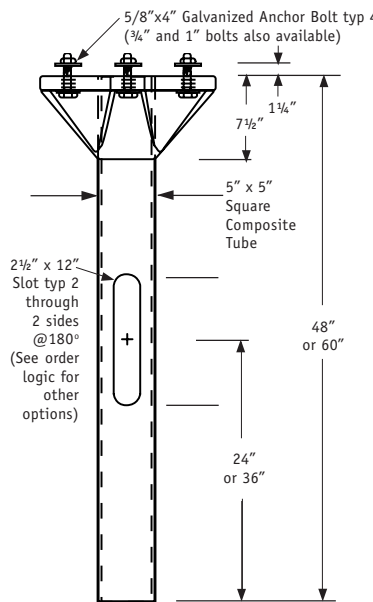
Weatherproof **receptacle** mounted 9" from top of pole, 90° clockwise from handhole: add "W1" to the catalog number.

Weatherproof **receptacle** mounted 18" from the top of the base on the shaft, 90° clockwise to the handhole: add "W2" to the catalog number. For other receptacle options, specify or contact factory.

Banner **arms**, flag **brackets**, **luminaires**, and other **attachments** are available. Contact factory.

**Decorative Twin Fixture Crossarm** (Catalog number A-30) add "A1" to pole catalog number. See Arms and Brackets brochure for other **decorative twin arms**.

Detachable **Composite Burial Foot** permits direct burial of foot prior to mounting. Contact factory.



### Catalog Numbers for Long Beach Style 25.5"

**Base Type**  
A=Anchor Base  
B=Direct Burial  
**Style**  
LB=Long Beach

**Shaft Type**  
F=Fluted  
S=Smooth

**Color**  
1=Black  
2=Gray  
3=Brown  
4=Dk Green  
5=Dk Bronze  
6=Silver  
7=White  
9=Specify\*

**Options**  
(See "Options" above)

**ALB25 - 16 F S 1 1**

**Base Dia. (in.)**  
25.5"

**Mounting Height (ft.)**  
12 to 23

**Finish**  
G=Gloss  
S=Semi-gloss

Direct Burial Conduit Entrance (use "1" for Anchor Base)		
Location from bottom of pole	1 ea. 2"x12"	2 ea. 2"x12" @ 180°
None	1	1
12"	2	3
18"	4	5
24"	6	7
Other (specify)	0	0

\*Standard, premium, and architectural colors are available. See **Tuff-Pole® Color Palette** brochure.

### How to Specify

**Description:** The pole shaft and base (and internal mounting flange) shall all be molded of non-corroding fiberglass reinforced composite, pigmented throughout, and finished in the same color as specified. The (fluted) shafts shall be tapered and formed with 16 flutes separated by semi-flat ribs. The (smooth) shafts shall be filament wound with a smooth, tapered surface. The base shall be shaped similar to Shakespeare Composite Structures Long Beach Style **ALB25** (anchor base) / **BLB25** (direct burial).

**Dimensions:** The pole shall be 12 to 23 feet mounting height with a 25.5-inch diameter base. A 3" diameter by 3" high aluminum tenon shall be provided for luminaire mounting. (Direct Burial) The direct burial foundation shall be 48" or 60" overall length and provided with a 2.5" x 12" conductor entrance centered 24" or 36" from the bottom of the direct burial base (see order logic for other options). (Anchor Base) The internal mounting flange shall be provided with four 13/16" slots to accommodate 4 anchor bolts 5/8" x 18" x 3" in a 15" to 18" bolt circle.

**Construction:** The shaft shall be round with a uniform taper along the fluted (smooth) shaft. A handhole with a weather resistant cover shall be provided in the base for wiring access (if anchor base) and anchorage. The opening shall be no smaller than 4" wide at the top by 6" at the bottom by 10" high. The cover shall be made of fiberglass reinforced composite and shall bear the manufacturer's name. The cover shall be attached with 3 stainless steel flat countersunk hex socket head screws. Threaded inserts shall be incorporated in the pole base.

The (anchor base) mounting flange shall be molded in one piece of fiberglass reinforced composite with a minimum thickness of 1/2" and shall be permanently bonded flush to the bottom of the base. Each pole shall be finished with a (glossy / semi-gloss) weather resistant polyurethane having a minimum dry film thickness of 1.5 mils.

(Add "**Performance and Testing Requirements**" from Specification Data sheet.)

### EPA Rating

Long Beach style poles are engineered to withstand at least 100 mph wind forces (calculated per AASHTO standards and including a 30% gust factor), with luminaires up to 6.2 EPA (sq. ft.) weighing up to 150 pounds. For other loading requirements, contact the factory.



803.276.5504 · 800.800.9008 · F/803.276.8940  
www.skp-cs.com · decorative@skp-cs.com

A Division of Genlyte Thomas Group, LLC