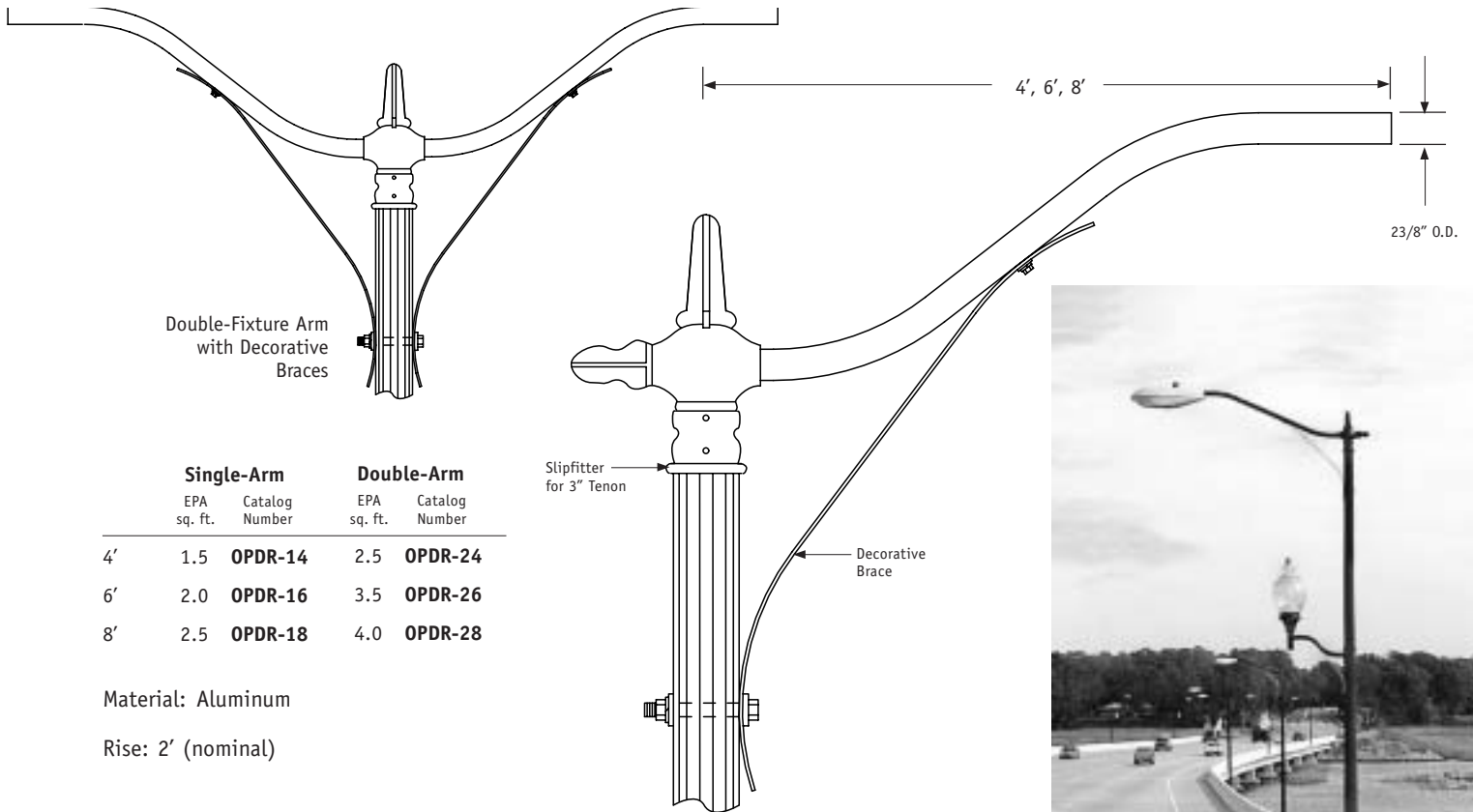


Decorative Single- or Double-Fixture Arm

Tenon mounted, 4', 6' or 8' arms



Double-Fixture Arm with Decorative Braces

Single-Arm

EPA sq. ft. Catalog Number

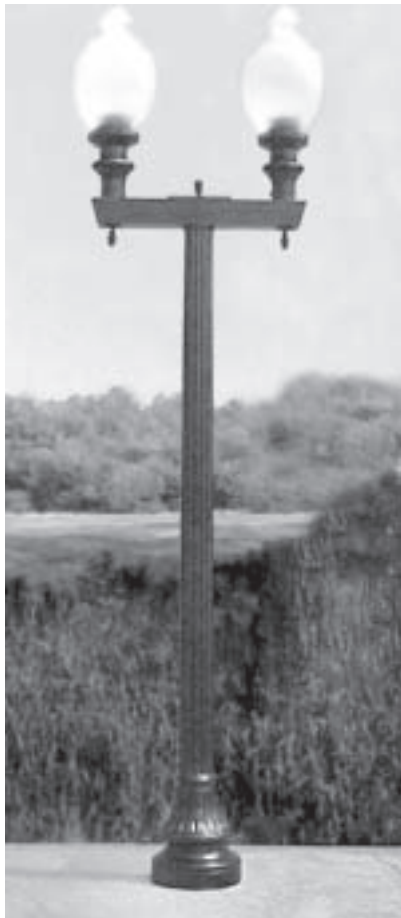
Double-Arm

EPA sq. ft. Catalog Number

	EPA sq. ft.	Catalog Number	EPA sq. ft.	Catalog Number
4'	1.5	OPDR-14	2.5	OPDR-24
6'	2.0	OPDR-16	3.5	OPDR-26
8'	2.5	OPDR-18	4.0	OPDR-28

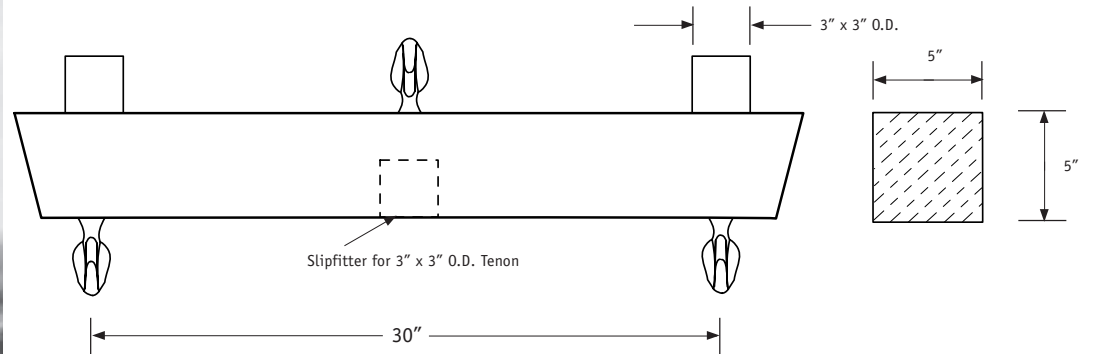
Material: Aluminum

Rise: 2' (nominal)



A-30 Decorative Twin-Fixture Arm

Tenon mounted



Material: Aluminum (specify color)

Weight: 16 lbs.

Catalog Number: A-30



THE HISTORICAL SERIES

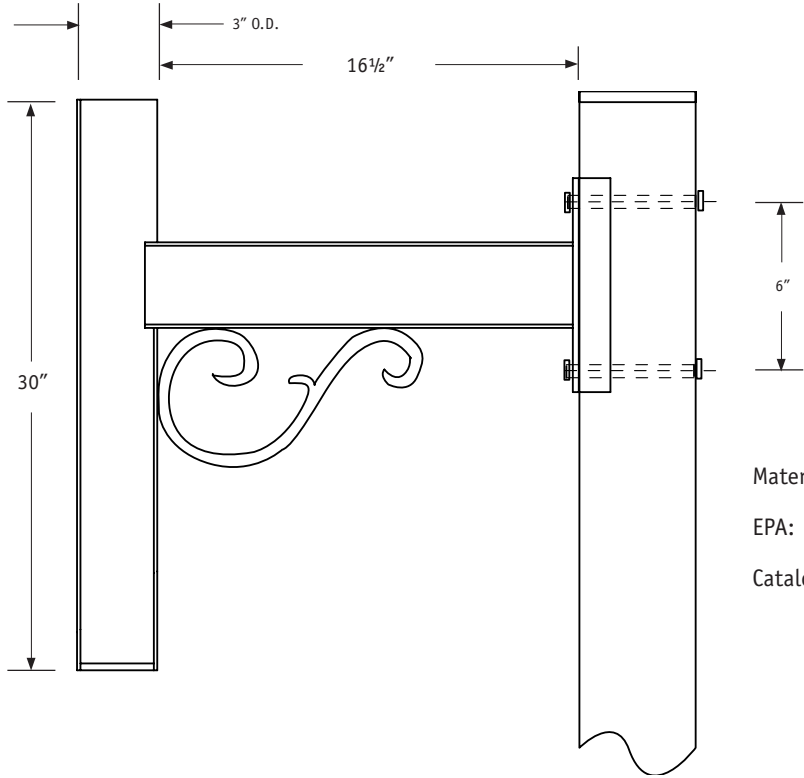
Decorative Brackets

Aluminum

All dimensions and specifications nominal, and subject to change without notice or obligation. Please contact factory before site preparation begins.

THE HISTORICAL SERIES

OPAR-1.5-30S Decorative Side Bracket

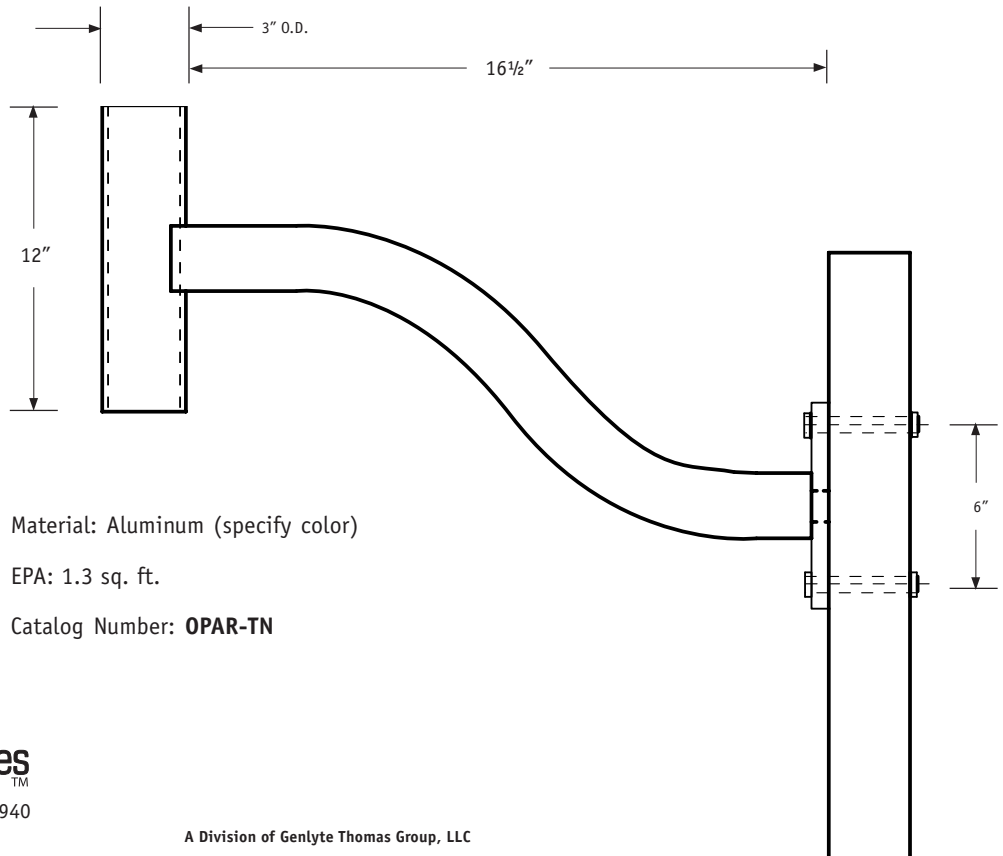


Material: Aluminum (specify color)

EPA: 1.3 sq. ft.

Catalog Number: **OPAR-1.5-30S**

OPAR-1.5-30S Decorative Side Bracket



Material: Aluminum (specify color)

EPA: 1.3 sq. ft.

Catalog Number: **OPAR-TN**



803.276.5504 · 800.800.9008 · F/803.276.8940
www.skp-cs.com · decorative@skp-cs.com

A Division of Genlyte Thomas Group, LLC