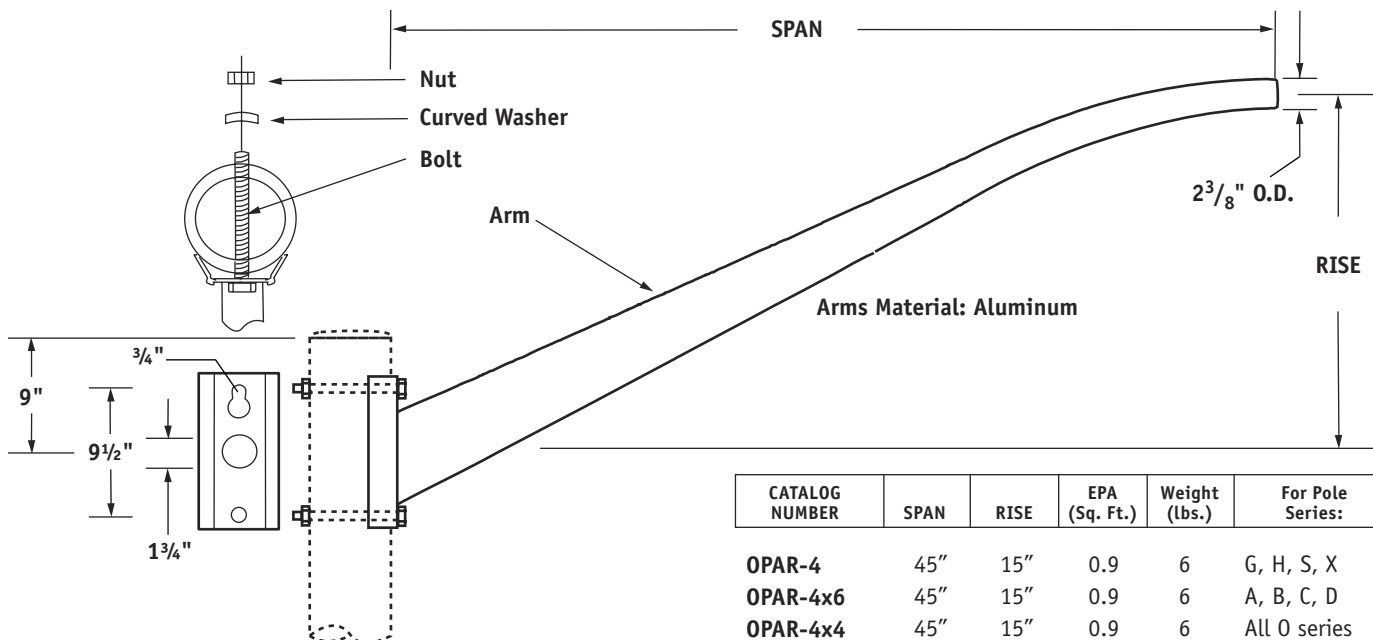


Options and Accessories



Mast Arms 4' to 12'



CATALOG NUMBER	SPAN	RISE	EPA (Sq. Ft.)	Weight (lbs.)	For Pole Series:
OPAR-4	45"	15"	0.9	6	G, H, S, X
OPAR-4x6	45"	15"	0.9	6	A, B, C, D
OPAR-4x4	45"	15"	0.9	6	All O series
OPAR-6	68"	24"	1.6	10	G, H, S, X
OPAR-6x6	68"	24"	1.6	10	A, B, C, D
OPAR-6x4	68"	24"	1.6	10	All O series
OPAR-8	90"	33"	2.4	14	G, H, S, X
OPAR-8x6	90"	33"	2.4	14	A, B, C, D
OPAR-8x4	90"	33"	2.4	14	All O Series
OPAR-10	120"	39"	3.3	17	H, S, X
OPAR-10x6	120"	39"	3.3	17	A, B, C, D
OPAR-12	138"	45"	4.0	22	H, S, X
OPAR-12x6	138"	45"	4.0	22	A, B, C, D
OPAR-15x6	174"	45"	7.4	40	A, B, C, D

Mast Arms

Material: Aluminum

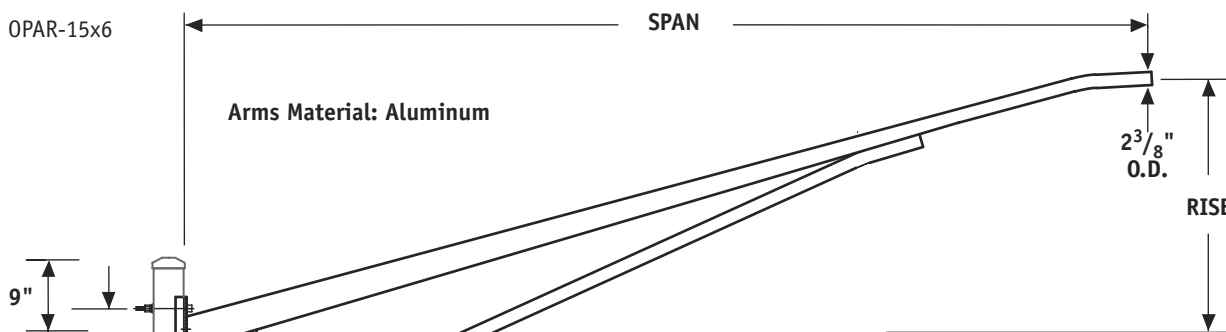
Construction: Single, tapered arm. One, two, three, or four can be mounted, depending on pole strength and other factors.

Options: 1.66" Dia. slipfitter (specify)

Mast Arms available in powder coated colors to match poles, at additional cost

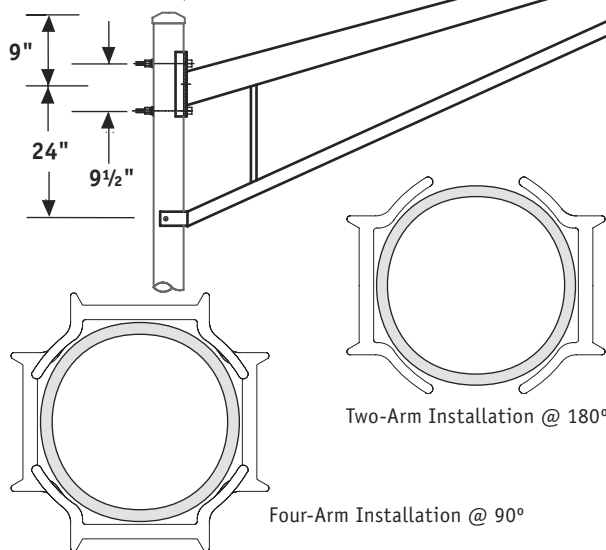
Truss Arm 15'

OPAR-15x6



Hardware Kits for Mast Arms

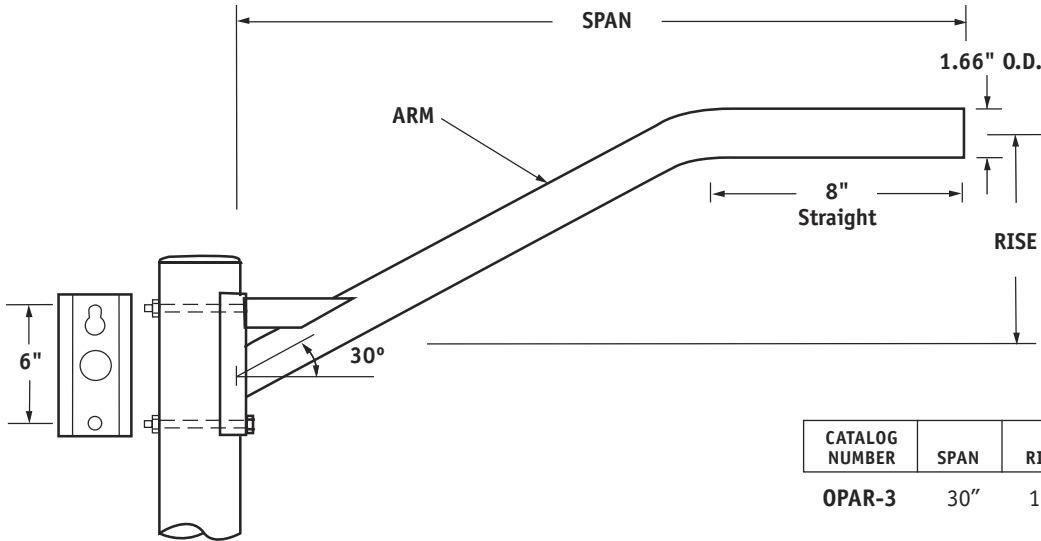
Material: Hot dipped Galvanized Steel



CATALOG NUMBER	Arms Configuration	For Pole Series:	5/8"-11 Bolts	Washers	Nuts
OPHW-1	Single arm	G, H, S, X	2 ea. 6"	2 ea. curved	2 ea.
OPHW-1x4	Single arm	All O Series	2 ea. 5 1/2"	2 ea. curved	2 ea.
OPHW-1x6	Single arm	A, B, C, D	2 ea. 8"	2 ea. curved	2 ea.
OPHW-2	Two @ 180°	G, H, S, X	2 ea. 7"	2 ea. flat	2 ea.
OPHW-2x4	Two @ 180°	All O Series	2 ea. 6"	2 ea. flat	2 ea.
OPHW-2x6	Two @ 180°	A, B, C, D	2 ea. 9"	2 ea. flat	2 ea.
OPHW-1x6-15	One Truss Arm	A, B, C, D	2 8", 1 9"	2 ea. curved	3 ea.
OPHW-2x6-15	Two Truss @ 180°	A, B, C, D	3 ea. 9"	2 ea. flat	3 ea.

Options and Accessories

Side Mount Brackets



Bolt-on Side Mount Long-Reach Brackets

Material: Aluminum

Color: Mill finish aluminum.

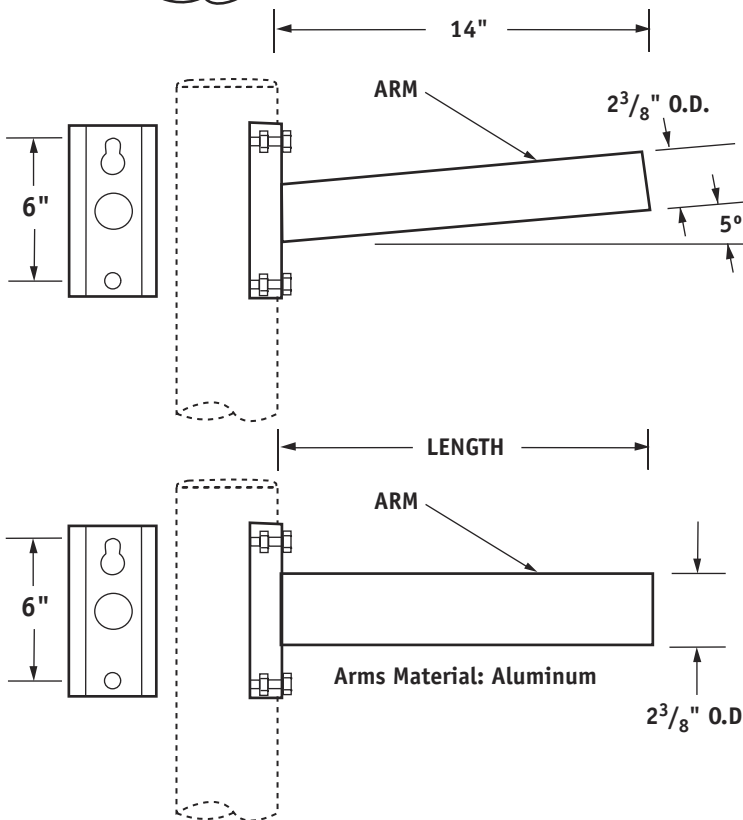
Options: 2.375" O.D.; Color to match pole (specify).

Mounting hardware not included. Order separately, according to pole series.

CATALOG NUMBER	SPAN	RISE	Arm EPA* (Sq. Ft.)	Weight (lbs.)	Max. Luminaire EPA* 90-120 MPH
----------------	------	------	--------------------	---------------	--------------------------------

OPAR-3 30" 15" 0.5 3.5 >20.0

*Sq. Ft. per arm



Bolt-on Side Mount Brackets

Material: Aluminum

Color: Mill finish aluminum.

Options: 1.66" Dia.; 1.9" Dia.; Custom lengths to 30"; Color to match pole (specify).

Mounting hardware included.

CATALOG NUMBER	Length	Arm EPA* (Sq. Ft.)	Weight (lbs.)	Max. Luminaire EPA* 90-120 MPH
----------------	--------	--------------------	---------------	--------------------------------

TILTED Style (5° tilt)

OPAR-1.2 14 0.25 2.0 >20.0

HORIZONTAL Style (no tilt)

OPAR-0.4 4.5 0.08 1.0 >20.0

OPAR-0.7 8 0.15 1.4 >20.0

OPAR-1 12 0.22 1.8 >20.0

OPAR-1.25 15 0.27 2.1 >20.0

OPAR-1.5 18 0.33 2.4 >20.0

OPAR-2 24 0.44 3.0 >20.0

OPAR-2.5 30 0.54 3.7 >20.0

*Sq. Ft. per arm/bracket

Bolt-on Side Mount 3" Tenon Style Brackets

For luminaires designed to fit a vertical 3" Tenon - including in-line ballast types

Material: Aluminum

Color: Mill finish aluminum.

Options: Color to match pole (specify).

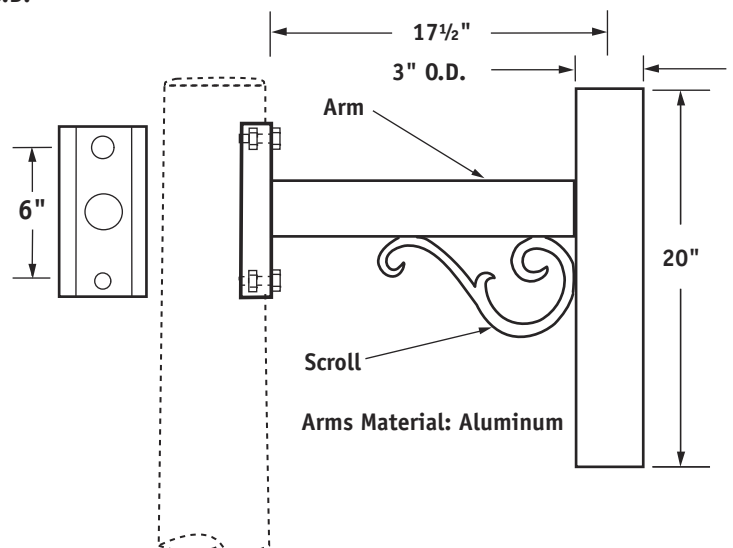
Mounting hardware included.

CATALOG NUMBER	Arm EPA* (Sq. Ft.)	Weight (lbs.)	Max. Luminaire EPA* 90-120 MPH
----------------	--------------------	---------------	--------------------------------

OPAR-1.5-30 (without scroll) 1.2 6.4 >20.0

OPAR-1.5-30S (with scroll) 1.5 6.9 >20.0

*Sq. Ft. per arm



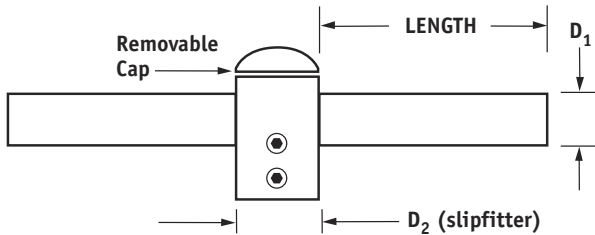
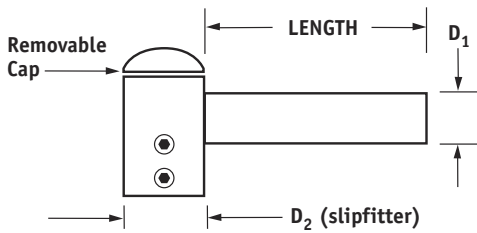
Tenon Mount Brackets

Material: Aluminum

Color: Mill finish aluminum.

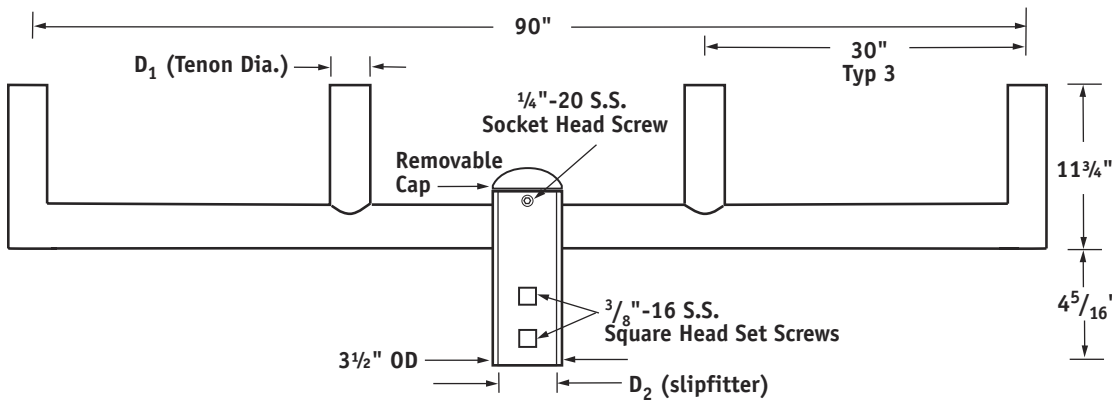
Options: D₁=1.66" Dia.; D₁=1.90" Dia.; Custom lengths to 24"; Color to match pole (specify).

Set screws included.



CATALOG NUMBER	LENGTH	D ₁	D ₂ (slipfitter) fits tenon size	Arm EPA* (sq. ft.)	Weight (lbs.)	Max. Luminaire EPA*	
						90-120 MPH	
<i>SINGLE</i>							
OPAR-2T-0.7	8"	2 ³ / ₈ "	2 ³ / ₈ "	0.4	4.6	>20.0	
OPAR-3T-0.7	8"	2 ³ / ₈ "	3"	0.4	2.7	>20.0	
<i>DOUBLE</i>							
OPAR-2Tx2-0.7	8"	2 ³ / ₈ "	2 ³ / ₈ "	0.5	5.5	>20.0	
OPAR-3Tx2-0.7	8"	2 ³ / ₈ "	3"	0.5	3.6	>20.0	

*Sq. Ft. per arm



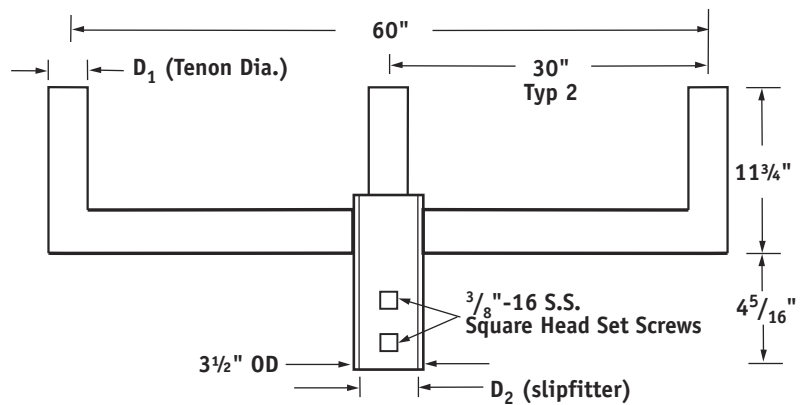
Tenon Mount Bullhorn Brackets

Material: Aluminum

Color: Mill finish aluminum.

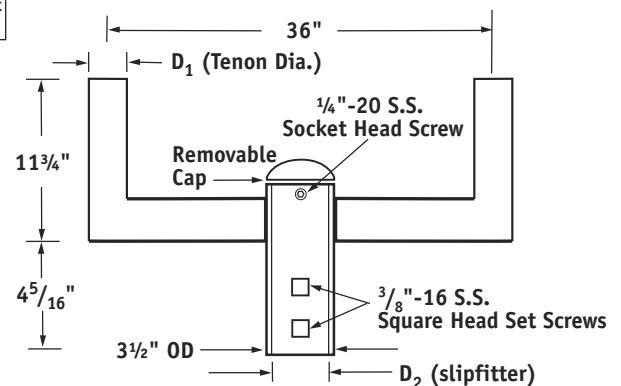
Options: Color to match pole (specify); Mix tenon and slipfitter sizes (except Quad)

Set screws included.



CATALOG NUMBER	D ₁	D ₂ (slipfitter) fits tenon size	Arm EPA (Sq. Ft.)	Max. Luminaire EPA*				Weight (lbs.)
				80 MPH	90 MPH	100 MPH	120 MPH	
<i>DOUBLE</i>								
OPBH-2-02-36	2 ³ / ₈ "	2 ³ / ₈ "	1.3	14	11.2	9	6.3	9.6
OPBH-2-01-36	3"	3"	1.6	19.1	15.2	12.2	8.7	13.2
<i>TRIPLE</i>								
OPBH-3-02-60	2 ³ / ₈ "	2 ³ / ₈ "	1.9	8.4	6.7	5.4	3.8	13.0
OPBH-3-01-60	3"	3"	2.3	11.5	9.1	7.3	5.2	20.5
<i>QUADRUPLE</i>								
OPBH-4-02-90	2 ³ / ₈ "	3"	2.6	4.2	3.3	2.7	1.9	15.3
OPBH-4-01-90	3"	3"	3.2	5.7	4.5	3.7	2.6	29.1

*Sq. Ft. per luminaire





Shakespeare Composite Structures is a Philips Group Brand.

19845 U.S. Highway 76, Newberry, South Carolina 29108 · www.skp-cs.com · 800.800.9008 · 803.276.5504 · F/803.276.8940