

One-Piece Shrouds

Fiberglass Composite

THE HISTORICAL SERIES

Outside diameters of Shakespeare Composite Structures S, H, and O series poles and Fluted Shafts to 25 ft. mounting height

Distance from Top of pole shaft (feet)	AS/BS (inches)	AO/BO (inches)	AH/BH (inches)	Tapered Fluted Shaft
Tip	2.9	4.1	4.6	
1'	3.1	4.3	4.7	
2'	3.4	4.4	4.9	
3'	3.7	4.5	5.0	
4'	3.8	4.6	5.2	
5'	3.9	4.8	5.3	
6'	4.1	4.9	5.4	
7'	4.2	5.0	5.6	
8'	4.3	5.2	5.7	
9'	4.5	5.3	5.9	
10'	4.6	5.4	6.0	
11'	4.8	5.6	6.1	
12'	4.9	5.7	6.2	
13'	5.0	5.8	6.4	
14'	5.2	5.9	6.5	
15'	5.3	6.1	6.7	
16'	5.5	6.2	6.8	
17'	5.6	6.3	6.9	
18'	5.7	6.5	7.1	
19'	5.9	6.6	7.2	
20'	6.0	6.7	7.3	
21'	6.2	6.7	7.3	
22'	6.3	6.7	7.3	
23'	6.4	6.7	7.3	
24'	6.6	6.7	7.3	
25'	6.7	6.8	7.3	

• 5" Straight Fluted Shaft also available

One-Piece Decorative Shrouds

Maximum pole O.D. at top of shroud

Shroud Style	Pole O.D. (inches)	Shroud Style	Pole O.D. (inches)
Adams	6.0	Louisville	5.0
Anaheim	6.0	Madison 13"	5.0
Bainbridge	5.0	Madison 17"	6.5
Bellevue	6.3	Madison 20"	7.5
Boise	6.5	Nuns Island	7.0
Davenport	6.75	Syracuse	7.5
D.C.	6.5	Vancouver	6.0
Fresno	7.0	Washington 13"	5.0
Jefferson	7.0	Washington 17"	6.5
Lafayette	5.0	Washington 20"	7.5
Lakeland	5.0	Washington 24"	6.0
Largo	5.0	Washington 28"	8.75
Long Beach	6.25	West Hollywood	7.0

Ordering Template

SH NI15 - 7.0 - F S 1

Shroud SH=One-Piece Shroud

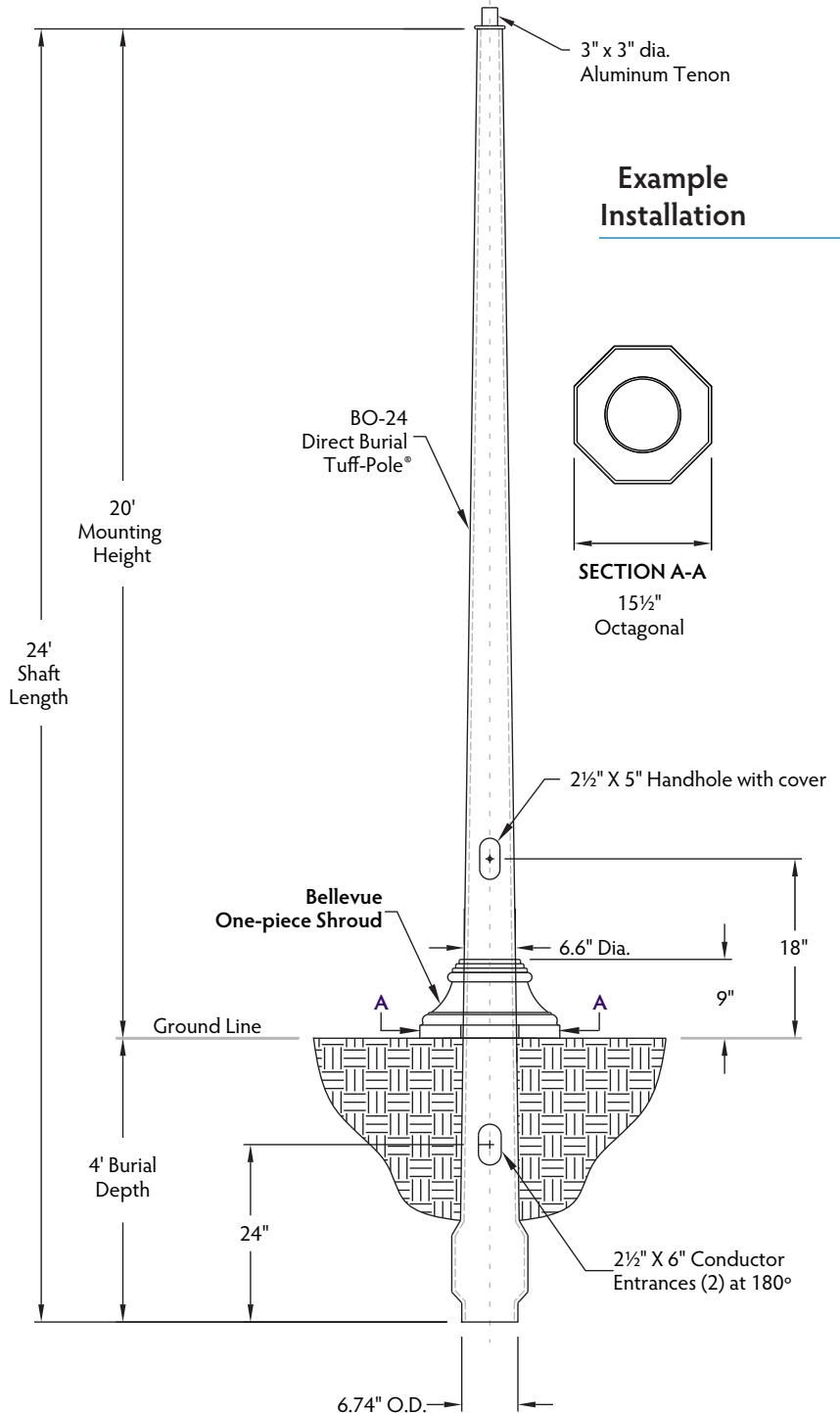
Diameter of Shaft at top of Shroud (in.)

Finish S=Semi-Gloss G=Gloss

Color
1=Black
2=Gray
3=Brown
4= Ant. Green
5= Bronze
6= Silver
7= White
9= Special

Base Style and Diameter Example: NI15=Nuns Island 15"

Shaft type F=Fluted S=Smooth



Two-Piece Shrouds

Fiberglass Composite



Outside diameters of Shakespeare Composite Structures S, H, and O series poles and Fluted Shafts to 25 ft. mounting height

Distance from Top of pole shaft (feet)	AS/BS (inches)	AO/BO (inches)	AH/BH (inches)	Tapered Fluted Shaft
Tip	2.9	4.1	4.6	
1'	3.1	4.3	4.7	
2'	3.4	4.4	4.9	
3'	3.7	4.5	5.0	
4'	3.8	4.6	5.2	
5'	3.9	4.8	5.3	
6'	4.1	4.9	5.4	
7'	4.2	5.0	5.6	
8'	4.3	5.2	5.7	
9'	4.5	5.3	5.9	
10'	4.6	5.4	6.0	
11'	4.8	5.6	6.1	
12'	4.9	5.7	6.2	
13'	5.0	5.8	6.4	
14'	5.2	5.9	6.5	
15'	5.3	6.1	6.7	
16'	5.5	6.2	6.8	
17'	5.6	6.3	6.9	
18'	5.7	6.5	7.1	
19'	5.9	6.6	7.2	
20'	6.0	6.7	7.3	
21'	6.2	6.7	7.3	
22'	6.3	6.7	7.3	
23'	6.4	6.7	7.3	
24'	6.6	6.7	7.3	
25'	6.7	6.8	7.3	

• 5" Straight Fluted Shaft also available

Top Inside Diameter of Two-Piece Decorative Shrouds

Shroud Style	Shroud I.D. (inches)
Avondale	6.3
Chicago	10.0
Comerica Park	8.0
Gateway	10.0
Madison 17"	7.0
Madison 20"	8.0
Redondo Beach	8.0
Roosevelt	9.0
Washington 17"	6.5
Washington 20"	7.5

Ordering Template

