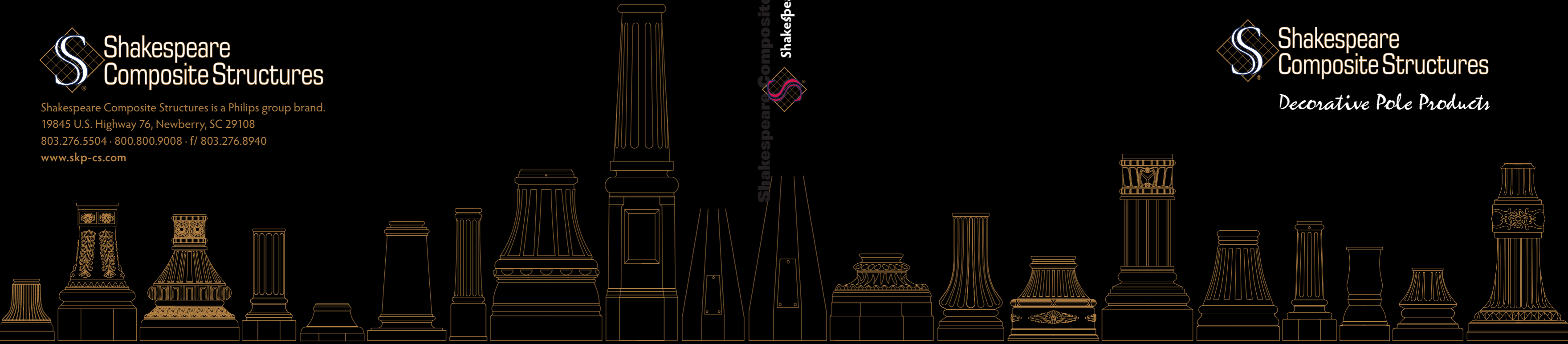


Shakespeare Composite Structures

Shakespeare Composite Structures is a Philips group brand.
19845 U.S. Highway 76, Newberry, SC 29108
803.276.5504 · 800.800.9008 · f/ 803.276.8940
www.skp-cs.com

Shakespeare Composite Structures · Decorative Pole Products

Shakespeare Composite Structures
Decorative Pole Products



Shakespeare Composite Structures is a Philips group brand





Shakespeare Composite Structures

Decorative Pole Products



Table of Contents

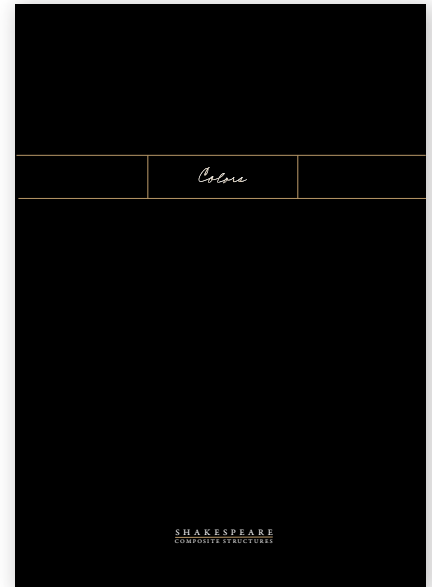
Performance and Testing Addendum for Sample Specification	3
Decorative Composite Tuff-Poles®	
Historical Series	5-52
Polymer Concrete Series	53
Citiscap Series (non-tapered shafts)	55-60
Streetscap Series (tapered shafts)	61-72
Decorative Arms and Brackets	73
Composite Shrouds	77
One-Piece Shrouds	79-104
Two-Piece Shrouds	107-120

19845 U.S. Highway 76, Newberry, SC 29108
803.276.5504 · 800.800.9008 · f/803.276.8940
sales@skp-cs.com · www.skp-cs.com

Color Specifications

Shakespeare decorative pole products are available in a palette of standard, special, premium, and architectural colors. Any color can be matched. Please ask for our Color Palette brochure, which contains color chips for many of our most popular color specifications.

The inside spread of the brochure is reproduced below. However, due to the many variables in the printing process, you should pick from the original palette brochure, not this image.



STANDARD COLORS

Shakespeare offers the standard colors shown below in any of its composite lighting, decorative, or utility Tuff-poles®. Choose these colors for fastest delivery. No additional lead time is required.



Dark Bronze Gray Black

SPECIAL COLORS

Shakespeare's palette of special colors requires no additional lead time.



Silver Steel Antique Dark Green Ranch Green



White

PREMIUM COLORS

Sixteen premium colors are also available. This palette applies to any of Shakespeare's composite lighting and decorative Tuff Poles, including the decorative arms and composite luminaires. Additional lead time may be required.



Charcoal Bronze Medium Bronze Light Bronze Walnut Bronze Light Nordic Bronze



Light Oak Arts Ivory Medium Gray Prussian Blue Dark Blue



Charcoal Black Iron Tuff Green Olive Green Shamrock



Charcoal

CUSTOM AND ARCHITECTURAL COLORS

Shakespeare can match your sample. Contact factory for further details.

STANDARD SPECIAL AND PREMIUM COLOR PALETTE



Composite Twin-fixture Arms

DCTW

Catalog number:

DCTW

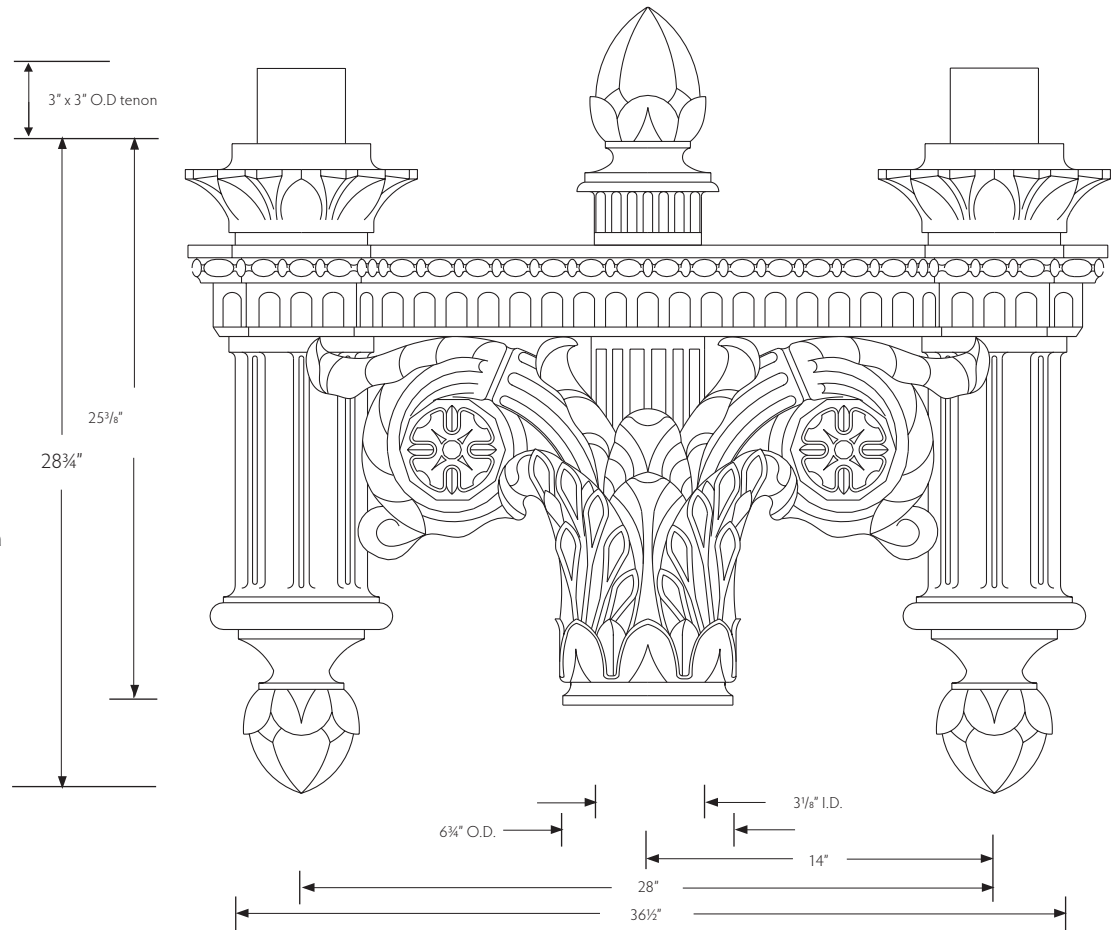
Material: Fiberglass reinforced composite (specify color)

Weight: 70 lbs.

EPA: 5.3 sq. ft.

Requires: 3" O.D. x 6" tall tenon

Standard, special, premium, and architectural colors available, or any color can be matched



Distinctive, classical beauty

Virtually maintenance free,
fiberglass reinforced composite

One-piece construction

Standard or custom finishes and
colors to match poles

Standard 3" x 3" dia. aluminum
tenons for luminaire mounting



Washington, DC, historic district:
Shakespeare Composite Structures™ D.C.
Style Tuff-Pole® with DCTW Twin-fixture
Decorative arm and Shakespeare's Style
FAA composite luminaires.

SCTW

Shakespeare Composite Structures Composite Twin-fixture Arm

All dimensions and specifications nominal, and subject to change without notice or obligation. Please contact factory before site preparation begins.

Catalog number:

SCTW

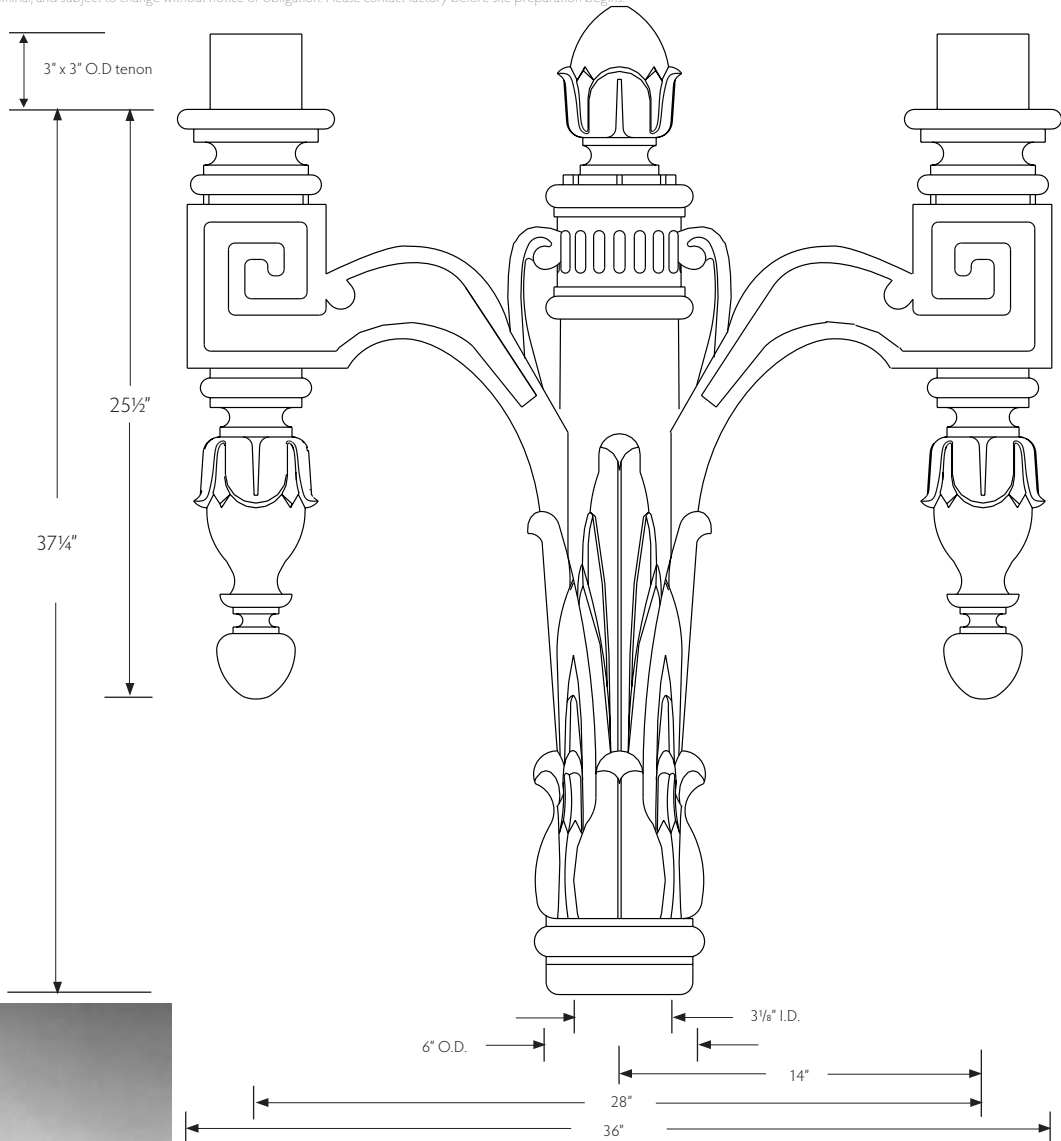
Material: Fiberglass reinforced composite (specify color)

Weight: 40 lbs.

EPA: 4.3 sq. ft.

Requires: 3" O.D. x 6" tall tenon

Standard, special, premium, and architectural colors available, or any color can be matched



These decorative arms look great with fluted or smooth shafts on Shakespeare Composite Structures D.C., San Gabriel, and Washington style Tuff-Poles®.

Washington Style pole with SCTW Twin-fixture Decorative Twin Arm and two acorn luminaires

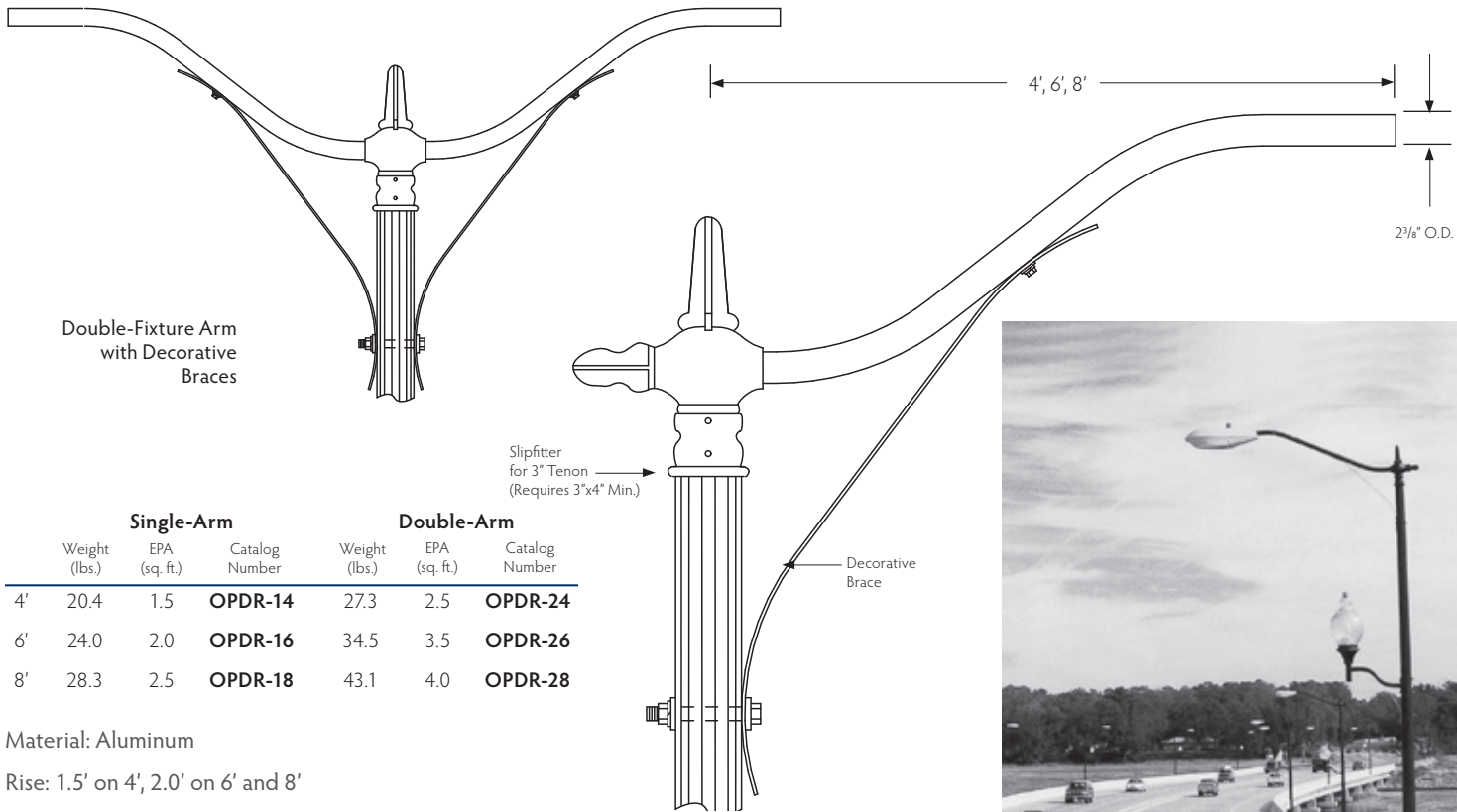


San Gabriel Style Tuff-Pole® with SCTW Twin-fixture Decorative Twin Arm and acorn luminaires



Decorative Arms Aluminum

Decorative Single- or Double-Fixture Arm Tenon mounted, 4', 6' or 8' arms



Double-Fixture Arm with Decorative Braces

Single-Arm			Double-Arm			
Weight (lbs.)	EPA (sq. ft.)	Catalog Number	Weight (lbs.)	EPA (sq. ft.)	Catalog Number	
4'	20.4	1.5	OPDR-14	27.3	2.5	OPDR-24
6'	24.0	2.0	OPDR-16	34.5	3.5	OPDR-26
8'	28.3	2.5	OPDR-18	43.1	4.0	OPDR-28

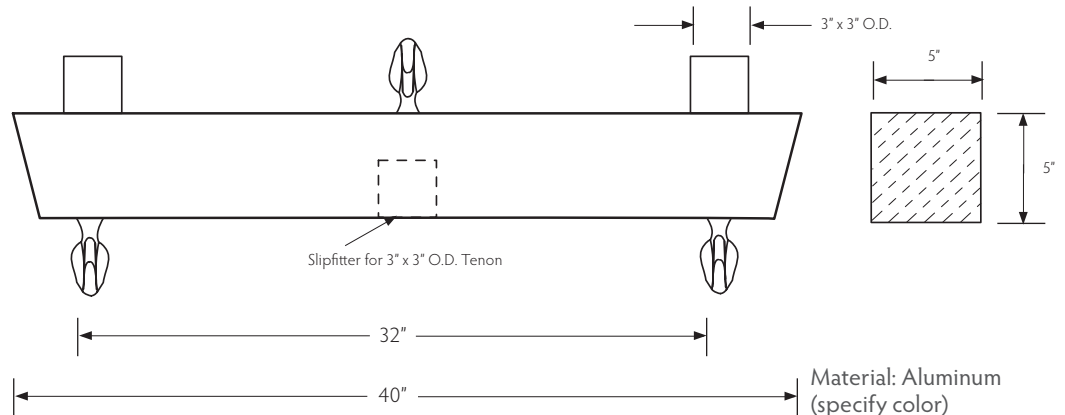
Material: Aluminum

Rise: 1.5' on 4', 2.0' on 6' and 8'

Requires: 3" O.D. X 4" Min. to 6" max. Length tenon



A-30 Decorative Twin-Fixture Arm Tenon mounted



Material: Aluminum (specify color)

Weight: 16 lbs.

EPA: 2.0 Sq. Ft.

Catalog Number: A-30

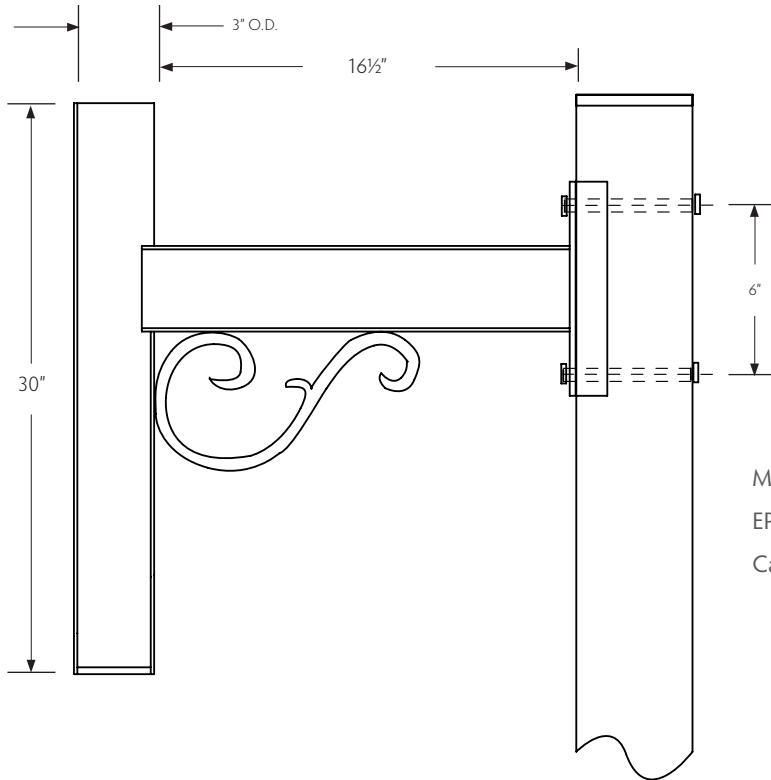


Decorative Brackets

Aluminum

All dimensions and specifications nominal, and subject to change without notice or obligation. Please contact factory before site preparation begins.

OPAR-1.5-30S Decorative Side Bracket

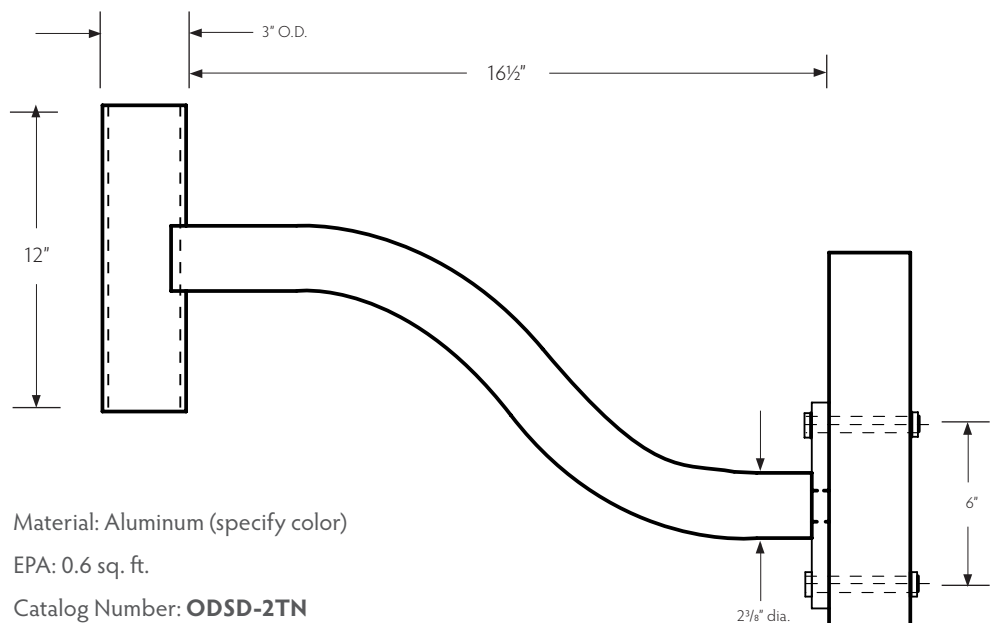


Material: Aluminum (specify color)

EPA: 1.3 sq. ft.

Catalog Number: **OPAR-1.5-30S**

OPAR-1.5-30S Decorative Side Bracket



Material: Aluminum (specify color)

EPA: 0.6 sq. ft.

Catalog Number: **ODSD-2TN**

